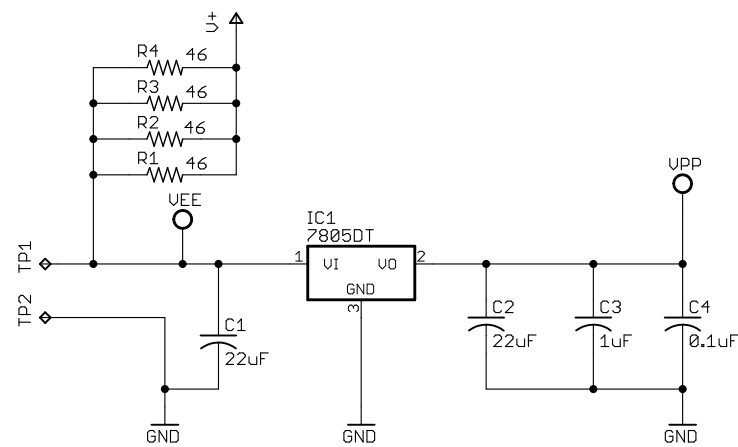
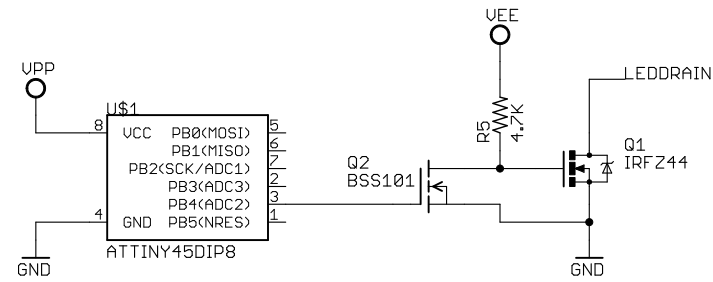
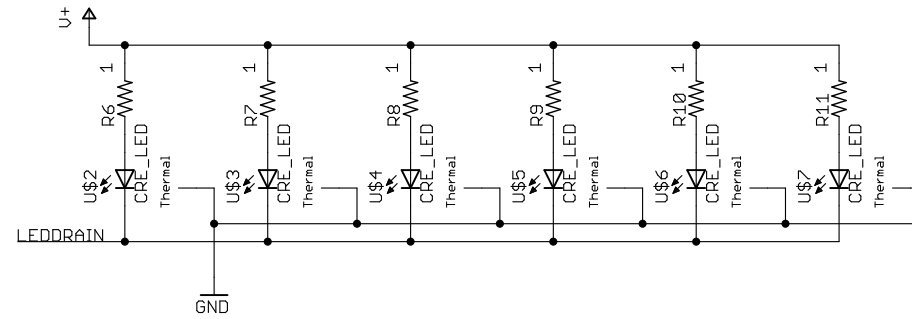
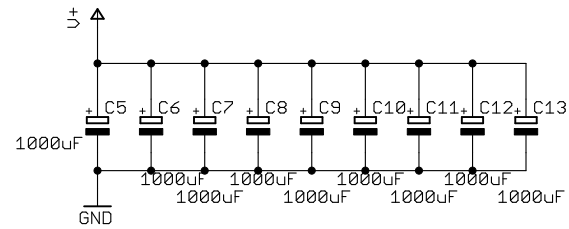


Strobe Control



Strobe Control Rev A

TITLE: Strobe_A

Document Number:

REV:

Date: 1/27/13 11:26 PM

Sheet: 1/1