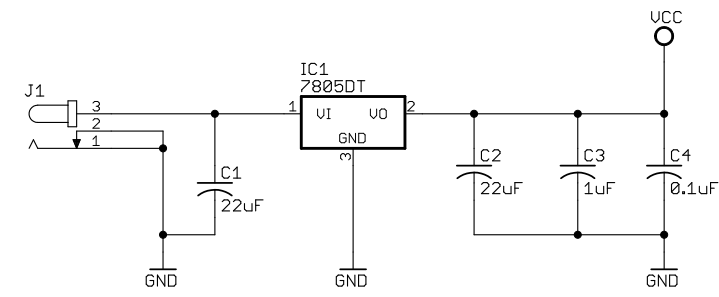
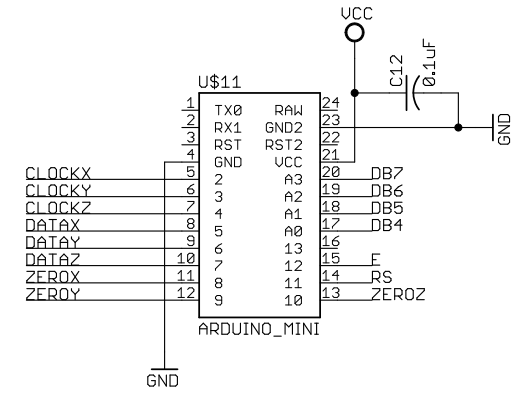
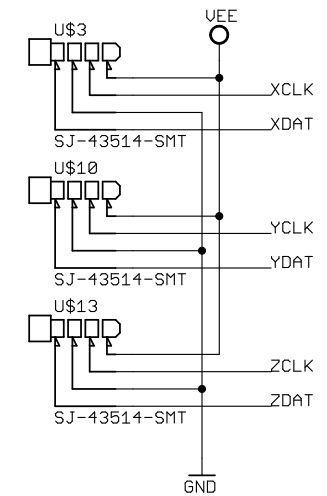
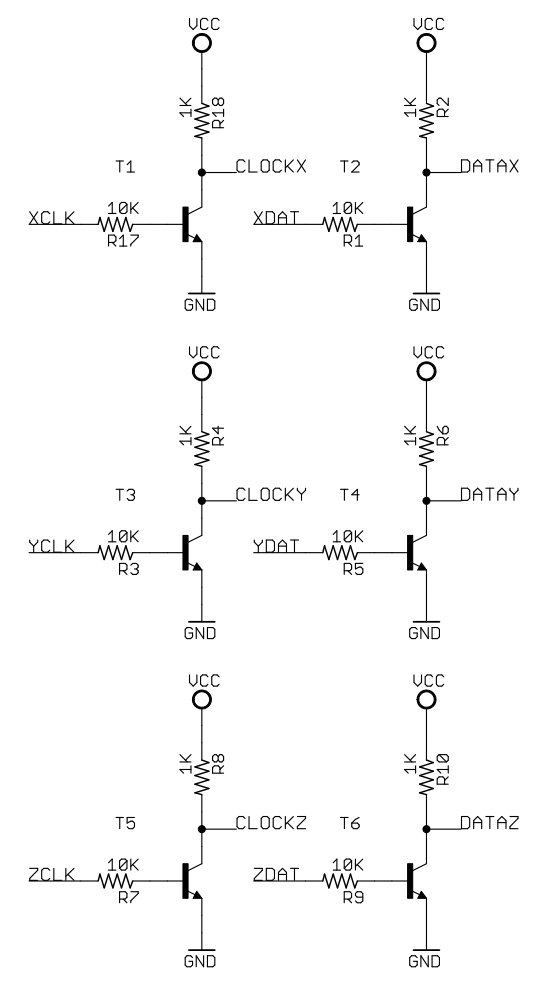


DRO Support Circuit

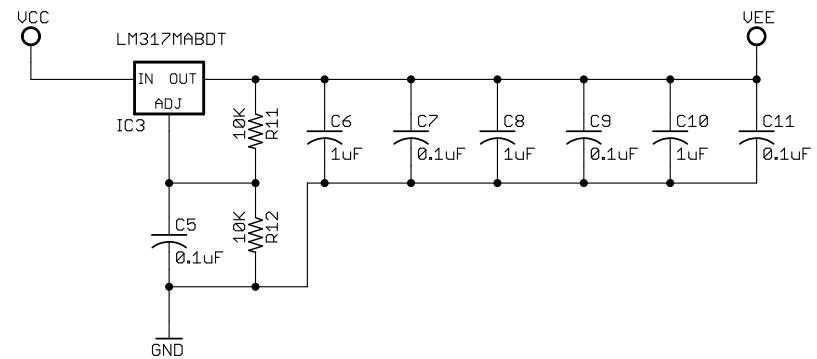
Caliper Interface



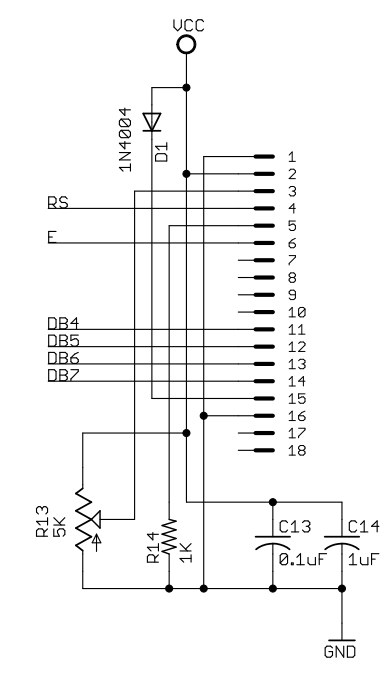
Caliper Signal Conditioning



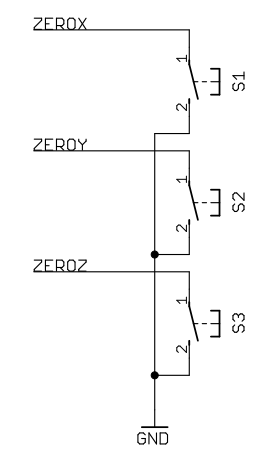
Caliper Supply Voltage



LCD Interface



AXIS Zero Buttons



DRO Rev A	
TITLE: DRO_SupportBD	
Document Number:	REV:
Date: 6/24/13 11:59 AM	Sheet: 1/1